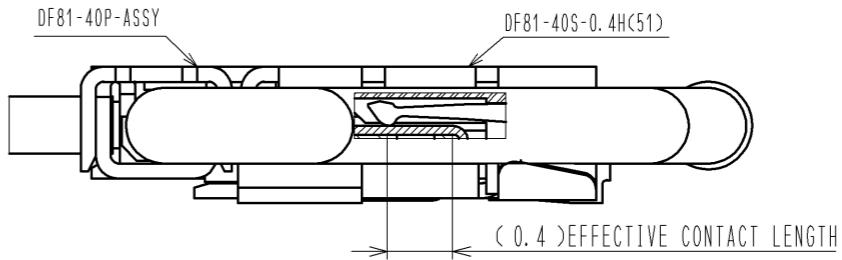
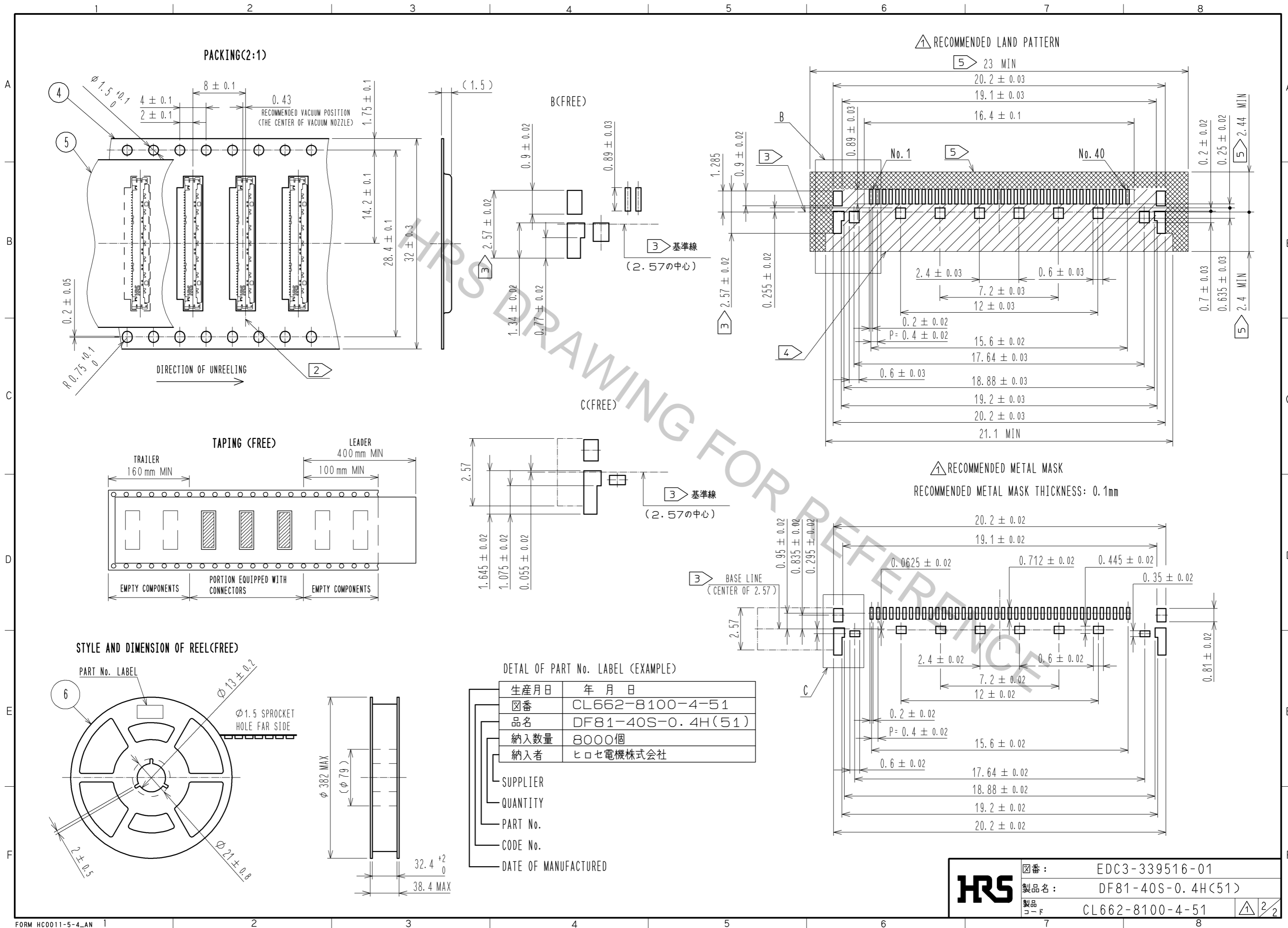


MATING FIGURE(20:1)



- NOTES 1. LEAD CO-PLANARITY SHALL BE 0.1mmMAX.
- ② DIRECTED CENTER LINE INDICATES THE CENTER OF 2.75±0.2 WHICH IS CONNECTOR DIMENSION. IT CORRESPONDS WITH THE CENTER LINE OF ENBOSSED POCKET.
 - ③ DIRECTED CENTER LINE INDICATES THE CENTER OF 2.57±0.02 WHICH IS RECOMMENDED LAND PATTERN DIMENSION. IT IS THE BASE LINE OF RECOMMENDED LAND PATTERN DIMENSION AND RECOMMENDED METAL MASK DIMENSION. IT CORRESPONDS WITH THE CENTER OF 2.37±0.2 WHICH IS CONNECTOR DIMENSION.
 - ④ DIRECTED AREA INDICATES GND AREA OR RESIST AREA.
 - ⑤ IT INDICATES PROHIBITION AREA OF MOUNTING. IF PARTS WERE MOUNTED ON THIS AREA, THE LOCK OF CONNECTOR BECOMES DISABLED BECAUSE MOUNTED PARTS INTERFERE WITH THE LATCH OF PLUG.
 - 6. PER REEL : 8000 COMPONENTS.
 - 7. THE DIMENSIONS IN PARENTHESES ARE FOR REFERENCE.
 - ⑧ REFER TO JIS 0806. (PACKING OF COMPONENTS FOR AUTO HANDRING)

2	LCP	UL94V-0, BLACK	6	PS	BLACK
1	PHOSPHOR BRONZE	CONTACT AREA : Au PLATING 0.1μm MIN. LEAD AREA : Au PLATING 0.05μm MIN. UNDER PLATING : Ni PLATING 1μm MIN.	5	POLYESTER	CLEAR
			4	PS	CLEAR
			3	SUS	CONTACT AREA : Au PLATING 0.05μm MIN. LEAD AREA : Au PLATING 0.05μm MIN. UNDER PLATING : Ni PLATING 0.2μm MIN.
部番	材 質	处 理 , 備 考	部番	材 質	处 理 , 備 考
UNITS mm		SCALE 5 : 1		訂 正 記 事 2 DIS-H-007797	設 計 AH.MIYAZAKI
	HIROSE ELECTRIC CO., LTD.	承 認 : TS.SAKATA 12.11.09 検 査 : HS.OZAWA 12.11.08 設 計 : TP.MATSUMOTO 12.11.08 製 図 : TP.MATSUMOTO 12.11.08	年 月 日 13.04.01	設 計 TS.SAKATA	検 査 TS.SAKATA
			図 番 :	EDC3-339516-01	
			製 品 名 :	DF81-40S-0.4H(51)	
			製 品 コード :	CL662-8100-4-51	



生産月日 年月日

図番 CL662-8100-4-51

品名 DF81-40S-0.4H(51)

納入数量 8000個

納入者 ヒロセ電機株式会社

SUPPLIER

QUANTITY

PART No.

CODE No.

DATE OF MANUFACTURED

HRS

図番: EDC3-339516-01

製品名: DF81-40S-0.4H(51)

製品コード: CL662-8100-4-51

1/2