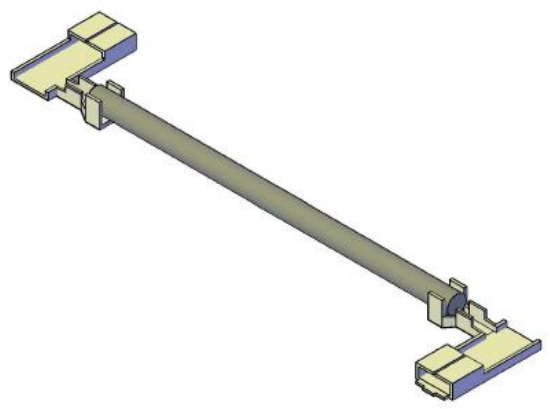
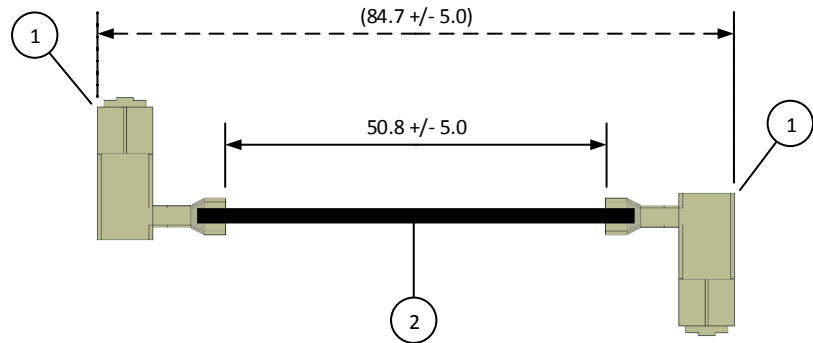
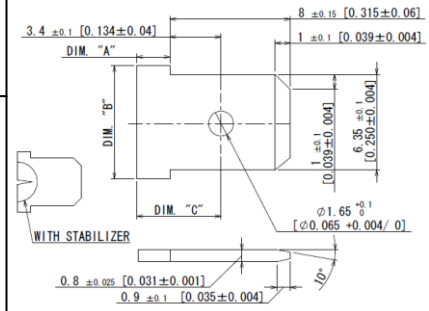


4		3		2		1	
ITEM	CONNECTOR PART NO.	DESCRIPTION	IPI CHECK	EOR CHECK	Applicable Tooling		
1	RASRSF-61-250A	RIGHT-ANGLE RSF CONTACT, BRASS			APPLICATOR		
2	UL1015, 16 AWG	BLACK			Applicable Housings		

NO. OF CIRCUITS	KEYLESS HOUSING PART NO.	COVER PART NO.
2	RARSFP-2V-00	RARSFC-2V
3	RARSFP-3V-00	RARSFC-3V
4	RARSFP-4V-00	RARSFC-4V
5	RARSFP-5V-00	RARSFC-5V
6	RARSFP-6V-00	RARSFC-6V
7	RARSFP-7V-00	RARSFC-7V
8	RARSFP-8V-00	RARSFC-8V
9	RARSFP-9V-00	RARSFC-9V
10	RARSFP-10V-00	RARSFC-10V
11	RARSFP-11V-00	RARSFC-11V
12	RARSFP-12V-00	RARSFC-12V

SUGGESTED MATING TAB

	WITHOUT STABILIZER	WITH STABILIZER
DIM. "A"	2.20 [0.087] MIN	4.20 ±0.15 [0.165 ±0.006]
DIM. "B"	7.40 [0.291] MIN	7.98 [0.314] MIN
DIM. "C"	5.90 [0.232] MAX	(7.6)



Other housings and configurations are available. Please contact JST for details.



SCALE	CUSTOMER NAME	CUSTOMER PART NO.
1:1		
DIMENSIONS	DESCRIPTION	
All dimensions are in MM with a tolerance of +/- 3.0 unless otherwise specified.	2" LIF, POS LOCK, .250, FLAG, DOUBLE-END LEADS, BRASS, F-F	
DRAWN BY	ASSEMBLY PART NO.	
STEVEN PILKINGTON	ARASRSFRASRSF16K51A	
CHECKED BY	DRAWING NO. & REVISION	REVISED
JUSTIN BAKER	GAM-163	3/16/2016

REV.	DESCRIPTION	DATE	BY