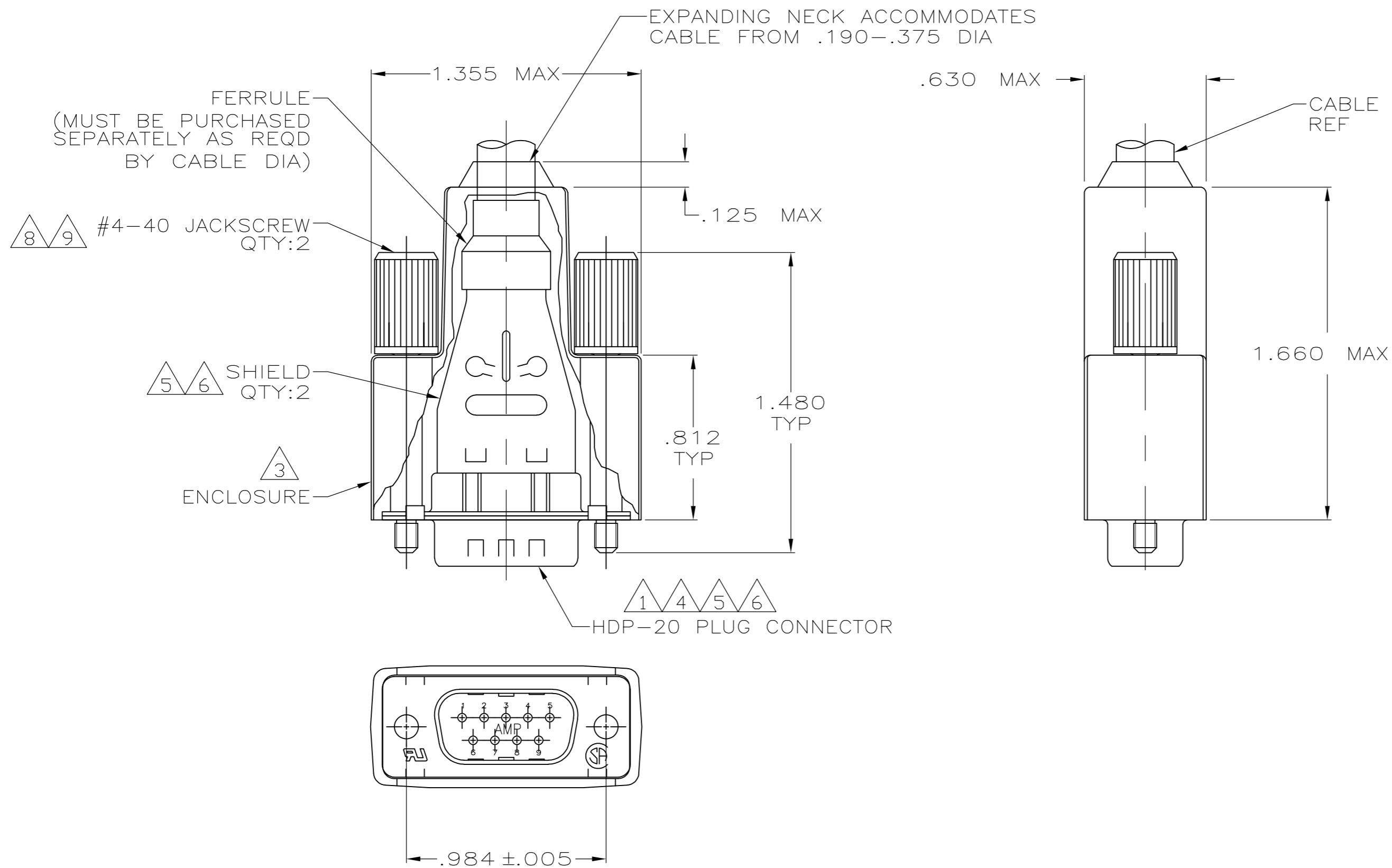


THIS DRAWING IS UNPUBLISHED. RELEASED FOR PUBLICATION
 © COPYRIGHT - By - ALL RIGHTS RESERVED.

LOC		DIST		REVISIONS					
GP		00		P	LTR	DESCRIPTION	DATE	DWN	APVD
				R		REVISED PER ECO-11-006475	18OCT2011	CJV	CWR



- 1 PLUG ACCEPTS SIZE 20 DF PIN CONTACTS. CONTACTS MUST BE PURCHASED SEPARATELY.
- 2. ALL PARTS SHIPPED UNASSEMBLED.
- 3 FLAME RETARDANT 94V-0 RATED, STYRENE POLYOLEFIN OR PVC, BLACK.
- 4 FLAME RETARDANT 94V-0 RATED GLASS FILLED, NYLON OR POLYESTER, BLACK.
- 5 STEEL PER ASTM A109.
- 6 .000200 MIN TIN PLATE OVER .000100 MIN COPPER UNDERPLATE.
- 7 COMPONENTS INDIVIDUALLY BULK PACKED.
- 8 ZINC ALLOY.
- 9 ELECTRODEPOSITED POLYURETHANE, BLACK.

7	W/LOGOS	1658655-1
PACKAGING	REMARKS	PART NUMBER

THIS DRAWING IS A CONTROLLED DOCUMENT.		DWN	J.REITZEL	31JUL03		TE Connectivity																		
DIMENSIONS: INCHES		CHK	S.BOLASH	31JUL03		NAME																		
TOLERANCES UNLESS OTHERWISE SPECIFIED:		APVD	M.WALMSLEY	31JUL03		PRODUCT SPEC																		
<table border="0"> <tr><td>0 PLC</td><td>±</td><td>-</td></tr> <tr><td>1 PLC</td><td>±</td><td>-</td></tr> <tr><td>2 PLC</td><td>±</td><td>-</td></tr> <tr><td>3 PLC</td><td>±</td><td>.020</td></tr> <tr><td>4 PLC</td><td>±</td><td>-</td></tr> <tr><td>ANGLES</td><td>±</td><td>-</td></tr> </table>		0 PLC	±	-		1 PLC	±	-	2 PLC	±	-	3 PLC	±	.020	4 PLC	±	-	ANGLES	±	-	APPLICATION SPEC		108-40030	
0 PLC	±	-																						
1 PLC	±	-																						
2 PLC	±	-																						
3 PLC	±	.020																						
4 PLC	±	-																						
ANGLES	±	-																						
MATERIAL		FINISH		WEIGHT	SIZE	CAGE CODE	DRAWING NO	RESTRICTED TO																
3 4 5 8		6 9		-	A2	00779	C=1658655	-																
CUSTOMER DRAWING				SCALE	2:1	SHEET	1 of 1	REV																
								R																